

- 1
- 2
- 3
- 4
- 5
- 6
- 7
- 8
- 9**
- 10
- 11
- 12
- 13
- 14
- 15
- 16
- 17
- 18
- 19

MATERIAL

Die-cast zinc alloy lever body, epoxy resin coating, RAL 9005 black colour, matte finish.

AISI 303 stainless steel clamping element.

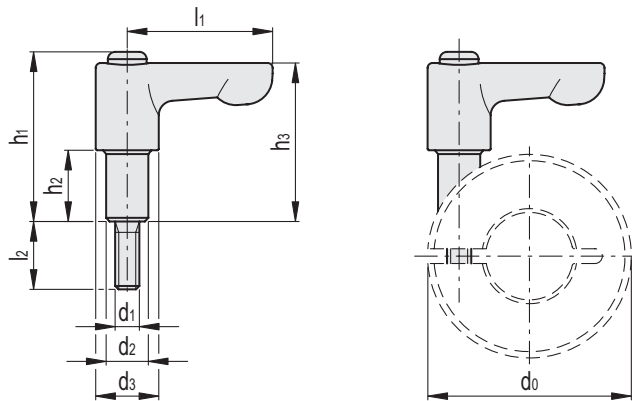
AISI 304 stainless steel retaining screw.

AISI 301 stainless steel return spring.

FEATURES AND APPLICATIONS

GN 311 clamping kit can be used as an alternative to the fixing screws supplied in the various types of set collars and semi-split set collars GN 706 and GN 707.

The table shows the dimensions of the set collars, semi-split set collars and of the corresponding clamping kits.



Conversion Table	
1 mm = 0.039 inch	
d2	
mm	inch
5.7	0.22
7.2	0.28
8.7	0.34
10	0.39

Code	Description	d1	d2	d3	l1	l2	h1	h2	h3	d0	
GN.16891	GN 311-22-M3-7-SW	M 3	5.7	10.5	22	8	24	7	22	16	14
GN.16896	GN 311-22-M3-8-SW	M 3	5.7	10.5	22	10	24	8	22	20 - 22	14
GN.16897	GN 311-22-M4-9-SW	M 4	7.2	10.5	22	10	26	9	24	26	16
GN.16901	GN 311-30-M4-12-SW	M 4	7.2	13	30	12	32	12	30	30 - 32	29
GN.16906	GN 311-30-M5-13-SW	M 5	8.7	13	30	12	33.5	13	31	36	32
GN.16907	GN 311-30-M5-15-SW	M 5	8.7	13	30	14	35	15	33	42	32
GN.16951	GN 311-45-M5-16-SW	M 5	8.7	13	45	16	36.5	16	34	48	40
GN.16956	GN 311-45-M6-18-SW	M 6	10	13	45	16	38.5	18	36	55	45
GN.16957	GN 311-45-M6-19-SW	M 6	10	13	45	16	39.5	19	37	60	46
GN.16958	GN 311-45-M6-20-SW	M 6	10	13	45	18	40.5	20	38	65	47

Standard machine parts